

Android  
+  
iOS app

GOLDEN EGG 2016:  
APP UX DESIGN SILVER EGG



## UKU REMOTE CONTROL

Uku is the only sauna remote control with a GSM module, that works through a mobile application. It uses up to 5 MB data capacity per month. The remote control units are designed for heaters up to 12 kW and 18 kW.

Just imagine that you are exercising outside or have to stay longer in the office. A few clicks on Huum's smart application and the sauna is heated up when you arrive home. The Uku control console combines user convenience with safety. The use of the stylish console is simple and convenient from the very beginning. In addition it is provided with a door sensor and an overheating protection.



## HIVE WOOD TECHNICAL DATA

### HIVE WOOD HEATER

Output (kW)	13kW	17kW
Sauna room min. (m <sup>3</sup> )	6	8
Sauna room max. (m <sup>3</sup> )	13	16
Stone capacity (kg)	90	130
Height (mm)	750	750
Width (mm)	455	555
Depth (mm)	460	590/740 <sup>LS</sup>
Weight (kg)	45	85
Firewood max. (mm)	300	400
Flue Ø (mm)	115	115
C (mm)	240	300
D (mm)	425	460
E (mm)	5	35/185 <sup>LS</sup>

### SAFETY DISTANCE \*

A (mm)	500	500
B (mm)	1000	1000

<sup>LS</sup> - Through the wall

\* - Combustible materials

# HUUM

A NEW LEVEL OF THE  
TRADITIONAL SAUNA EXPERIENCE



reddot award 2015  
honourable mention

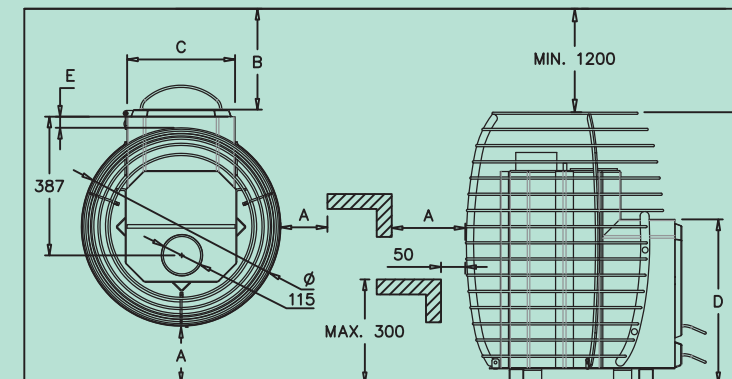
DON'T BE SHY, CONTACT US  
[WWW.HUUM.EU](http://WWW.HUUM.EU)  
[INFO@HUUM.EU](mailto:INFO@HUUM.EU)

## HIVE WOOD SAUNA HEATER

A wood-fired heater reflects the pure Nordic design language of HUUM heaters and past knowledge of building a sauna heater.

A large number of stones provides varied and long-lasting steam. A high-quality firebox ensures a long service-life of the heater. The flame tamer is made of special heat-resistant steel.

Also available with 15 cm firebox extension – a stove to be heated through the wall.





reddot award 2015  
honourable mention



## DROP TECHNICAL DATA

DROP HEATER	4.5	6	9
Output (kW)	4,5	6	9
Sauna room min. (m³)	3	5	8
Sauna room max. (m³)	7	10	15
Stone capacity (kg)	55	55	55
Height (mm)	590	590	590
Width (mm)	390	390	390
Depth (mm)	335	335	335
Weight (kg)	9,6	9,6	10,8

POWER			
Supply voltage 3-phase	400 V 3N	400 V 3N	401 V 3N
Cable (N x mm²)	5x1,5	5x1,5	5x2,5
Supply voltage 1-phase	230 V 1N	230 V 1N	230 V 1N
Cable (N x mm²)	3 x 2,5	3 x 6	3 x 10

SAFETY DISTANCE *			
A (mm)	100	120	150
B (mm)	590	630	690
C (mm)	435	455	485

\* - Combustible materials



## HIVE TECHNICAL DATA

HIVE HEATER	6	9	12	15	18
Output (kW)	6	9	12	15	18
Sauna room min. (m³)	6	9	12	15	18
Sauna room max. (m³)	10	15	25	30	35
Stone capacity (kg)	150	150	200	200	200
Height (mm)	800	800	800	800	800
Width (mm)	455	455	555	555	555
Weight (kg)	12,9	14,3	21,1	22	24

Supply voltage 3-phase	400 V 3N	400 V 3N	400 V 3N	400 V 3N	400 V 3N
Cable (N x mm²)	5x1,5	5x2,5	5x1,5+5x1,5	5x1,5+5x2,5	5x2,5+5x2,5
Supply voltage 1-phase	230 V 1N	230 V 1N	-	-	-
Cable (N x mm²)	3 x 6	3 x 10	-	-	-

A (mm)	60	90	120	150	180
B (mm)	675	720	790	850	910

\* - Combustible materials

## DROP HEATER

Drop is the first heater in Huum's portfolio. Drop is inspired by the purest thing in nature – a drop of water.

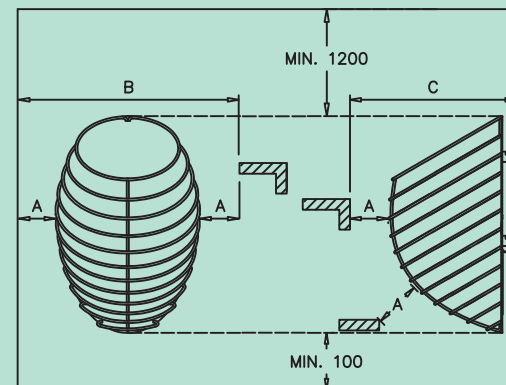
The unique design of the heater stores better heat and every scoop of water thrown on the heater will always give perfect steam.

ESTONIAN UNION OF INTERIOR DESIGNERS  
AWARD 2014: PEOPLE'S CHOICE

GOLDEN EGG 2014:  
VISUAL IDENTITY BRONZE EGG

BRUNO  
PRODUCT DESIGN AWARD BRUNO 2014:  
READERS CHOICE

ESTONIAN DESIGN AWARDS 2014:  
HONOURABLE MENTION



## HIVE HEATER

Powerful Hive is a perfect choice for bigger saunas. For smaller premium class saunas we have developed a less powerful and slimmer Hive heater. Large number of stones ensures high-quality and long steam and a perfect sauna experience regardless of the size of your sauna company.

Heating elements with the biggest diameter (13 mm) on the market provide a long service-life.

The pure Nordic design of the heater is a real pearl in any sauna.

