



HUUM sauna heaters,
controllers and accessories





MADE WITH CARE **IN ESTONIA**

HUUM products are made of stainless steel and go through a long and carefully supervised production process to guarantee the best quality of each product.

#huumsauna www.huum.eu

TABLE OF CONTENTS

Electrical heaters	5
DROP	6
Accessories	8
HIVE	10
HIVE Mini	12
Accessories	14
CLIFF	18
STEEL	20
Accessories	22
CORE	24
Wood burning sauna stoves	27
HIVE Wood	28
HIVE Heat	30
Accessories	32
Sauna controllers	37
UKU	38
Stones	40

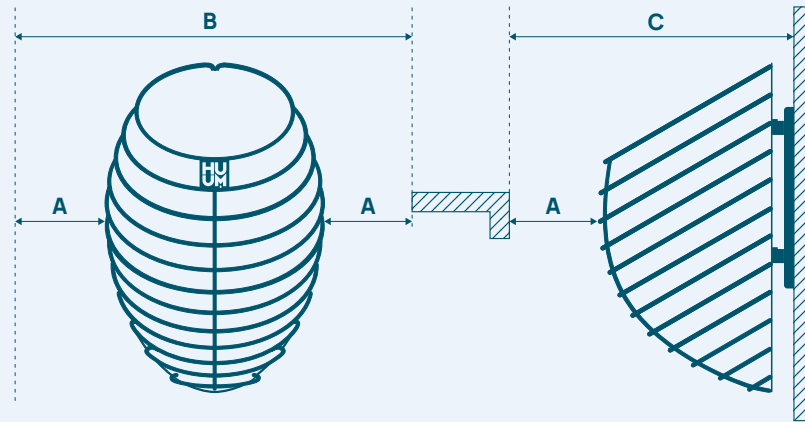


ELECTRICAL **HEATERS**



reddot award 2015
honourable mention

DROP



HEATER	DROP 4	DROP 6	DROP 9
POWER	4,5 kW	6 kW	8,5 kW
SAUNA ROOM	3-7 m ³	5-10 m ³	8-15 m ³
STONE CAPACITY	55 kg	55 kg	55 kg
WEIGHT	11 kg	11 kg	12 kg
HEIGHT	590 mm	590 mm	590 mm
WIDTH	390 mm	390 mm	390 mm
DEPTH	335 mm	335 mm	335 mm
SAFETY DISTANCE			
A	100 mm	120 mm	150 mm
B	590 mm	630 mm	690 mm
C	435 mm	455 mm	485 mm
CONNECTION			
SUPPLY VOLTAGE 3-PHASE	3/N~400 V	3/N~400 V	3/N~400 V
FUSE	10 A	10 A	16 A
CABLE (N x mm ²)	5 x 1,5	5 x 1,5	5 x 2,5



DROP electric heater is inspired by the purest element of nature - a drop of water. DROP's round design softens and enlivens the interior of the sauna, adding elegance to the steam room. Apart from good looks, DROP has other outstanding features. The compact wall-mounted heater holds up to 55 kg of stones, outperforming even some wood burning sauna stoves and ensuring **long-lasting steam**.

DROP is compatible with the WiFi-capable control system UKU, so that you can conveniently heat the sauna in the phone application, while you are still on the hiking trail or at the end of a long day at work.

THE SET INCLUDES:

- ◆ electric sauna heater
- ◆ wall mounted plate
- ◆ 9 kW DROP heater includes a heat guiding device

REQUIRES ALSO:

- ◆ UKU sauna control system
- ◆ stones (5-10 cm)
- ◆ heat-resistant power cable

ACCESSORIES:

- ◆ safety railing
- ◆ embedding flange

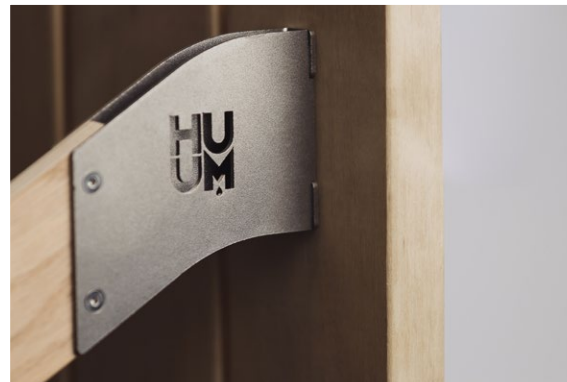


SAFETY RAILING

Safety railing for DROP heaters helps protect you from accidentally touching against the hot heater. The safety railing consists of light-colored wooden arcs, and stainless steel supports to attach them to the heater. The railing provides extra safety, but it is also an excellent way to style your heater.

SIMPLE AND QUICK INSTALLATION

Connect wooden arches to the support with four screws to form a complete railing.



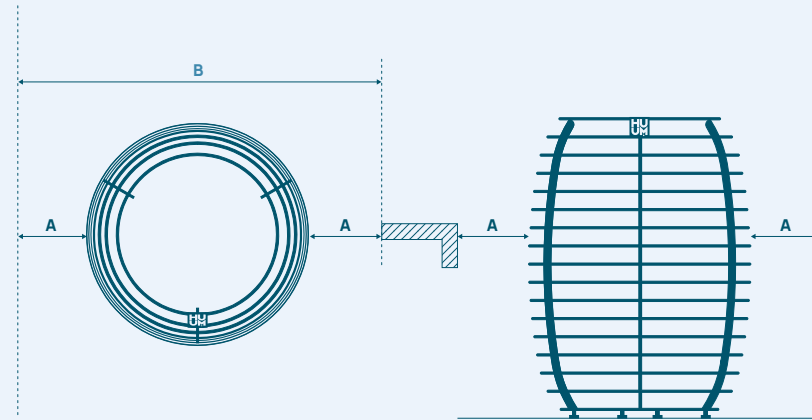


EMBEDDING FLANGE

The embedding flange is useful when you plan to install your heater partly inside the sauna bench. It is made of stainless steel, and it covers up the wooden edges around the heater, leaving the final result looking refined and smooth.



HIVE



HEATER	HIVE 12	HIVE 15	HIVE 18
POWER	12 kW	15 kW	18 kW
SAUNA ROOM	12 -25 m ³	15 -30 m ³	18-35 m ³
STONE CAPACITY	270 kg	270 kg	270 kg
WEIGHT	20 kg	21 kg	22 kg
HEIGHT	750 mm	750 mm	750 mm
DIAMETER	560 mm	560 mm	560 mm
SAFETY DISTANCE			
A	120 mm	150 mm	180 mm
B	800 mm	860 mm	920 mm
CONNECTION			
SUPPLY VOLTAGE 3-PHASE	3/N~400 V	3/N~400 V	3/N~400 V
FUSE	20 A	25 A	32 A
CABLE (N x mm ²)	5 x 4	5 x 4	5 x 6



HIVE electric heater is an elegant solution for larger saunas and a suitable choice for spas and sports clubs. The amount of heater stones is imposingly large, reaching up to 270 kg. In this way there will be long-lasting and hot steam even for a larger group who wants to enjoy sauna without haste. The round shape of the heater imitates a wild bee hive and brings the group together.

HIVE is compatible with the WiFi-capable control system UKU.

THE SET INCLUDES:

- ◆ electric sauna heater
- ◆ adjustable legs

REQUIRES ALSO:

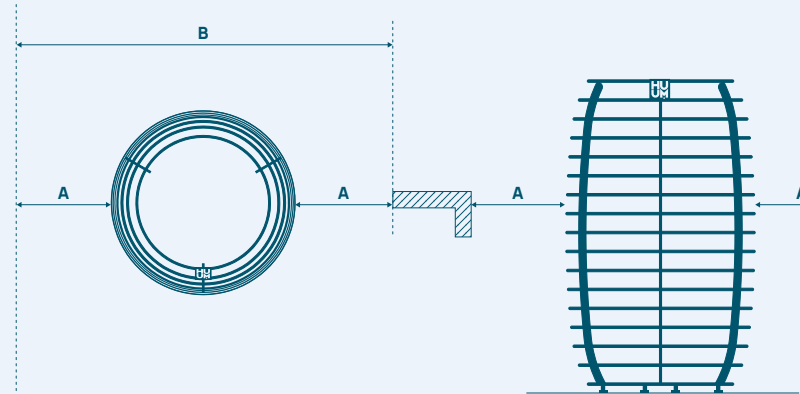
- ◆ UKU sauna control system
- ◆ stones (5-10 cm)
- ◆ heat-resistant power cable

ACCESSORIES:

- ◆ air tunnel
- ◆ embedding flange
- ◆ reflector
- ◆ safety railing



HIVE Mini



HEATER	HIVE Mini 6	HIVE Mini 9	HIVE Mini 11
POWER	6 kW	9 kW	10,5 kW
SAUNA ROOM	5-9 m ³	8-15 m ³	10-20 m ³
STONE CAPACITY	170 kg	170 kg	170 kg
WEIGHT	14 kg	16 kg	16 kg
HEIGHT	750 mm	750 mm	750 mm
DIAMETER	460 mm	460 mm	460 mm

SAFETY DISTANCE

A	60 mm	90 mm	110 mm
B	580 mm	640 mm	680 mm

CONNECTION

SUPPLY VOLTAGE 3-PHASE	3/N~400 V	3/N~400 V	3/N~400 V
FUSE	10 A	16 A	16 A
CABLE (N x mm ²)	5 x 2,5	5 x 2,5	5 x 2,5

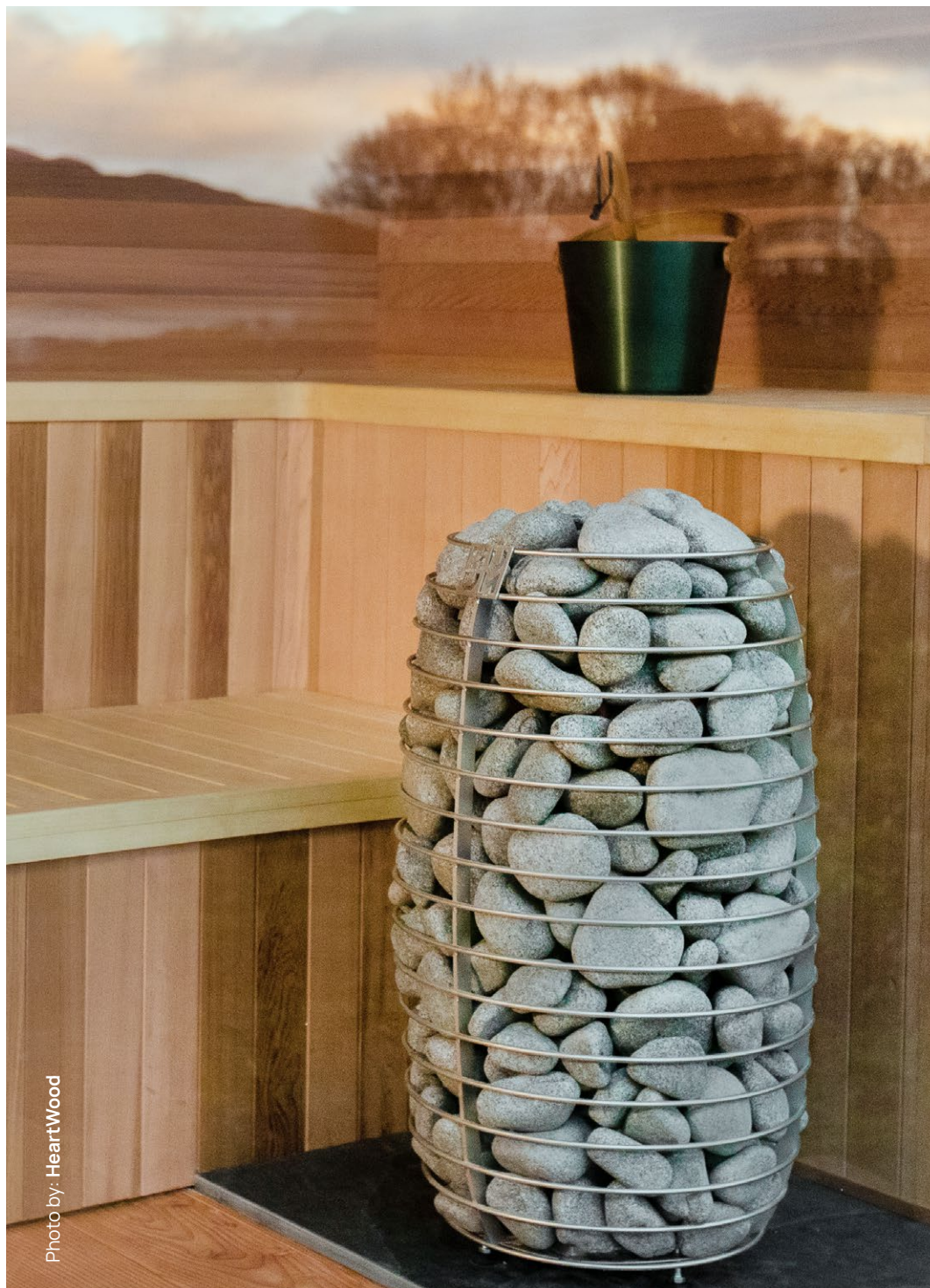


Photo by: HeartWood

HIVE Mini electric heater is a slimmer version of the HIVE heater. The heater holds 170 kg of stones and is suitable for smaller saunas, but also heats up a large steam room. Like its bigger brother, HIVE heater, Hive Mini is inspired by a hive of wild bees and is an ideal centerpiece for a sauna.

HIVE Mini is compatible with the WiFi-capable control system UKU.

THE SET INCLUDES:

- ◆ electric sauna heater
- ◆ adjustable legs

REQUIRES ALSO:

- ◆ UKU sauna control system
- ◆ stones (5-10 cm)
- ◆ heat-resistant power cable

ACCESSORIES:

- ◆ air tunnel
- ◆ embedding flange
- ◆ reflector
- ◆ safety railing

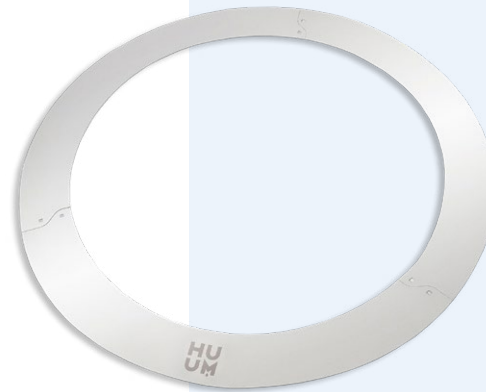


AIR TUNNEL

Internal air tunnel for HIVE sauna heaters speeds up sauna heating by 25% and extends the life span of heating elements. It is made of stainless steel and installed in the middle of the heater.

When using the air tunnel, you need approximately 30 kg fewer stones.

- ◆ compatible with all HIVE electrical models
- ◆ shorter heating period
- ◆ extends the life span of heating elements



EMBEDDING FLANGE

The embedding flange is useful when you plan to install your heater partly inside the sauna bench. It is made of stainless steel, and it covers up the wooden edges around the heater, leaving the final result looking refined and smooth.



REFLECTOR

Placing a reflector on the heater makes it possible to achieve half smaller safety distances from the walls. It is made of stainless steel and is mounted on the side of the heater. The reflectors can be connected.

- ◆ compatible with all HIVE models



SAFETY RAILING

Safety railing helps to protect you from accidentally touching against the hot heater. The railing consists of light-colored wooden arcs and stainless steel supports to attach them to the heater. Not only does the railing provide extra safety – but it is also an excellent way to style your heater.

- ◆ for HIVE: Ø 655 mm
- ◆ for HIVE Mini: Ø 555 mm

SIMPLE AND QUICK INSTALLATION

First, fasten the wooden arcs to the outer pieces of the supports with screws. Then place the supports' inner pieces to the heater between the upper and the following wire. Finally, place the inner and outer pieces of the support facing each other and fix them together with a bolt and nut. You are done!



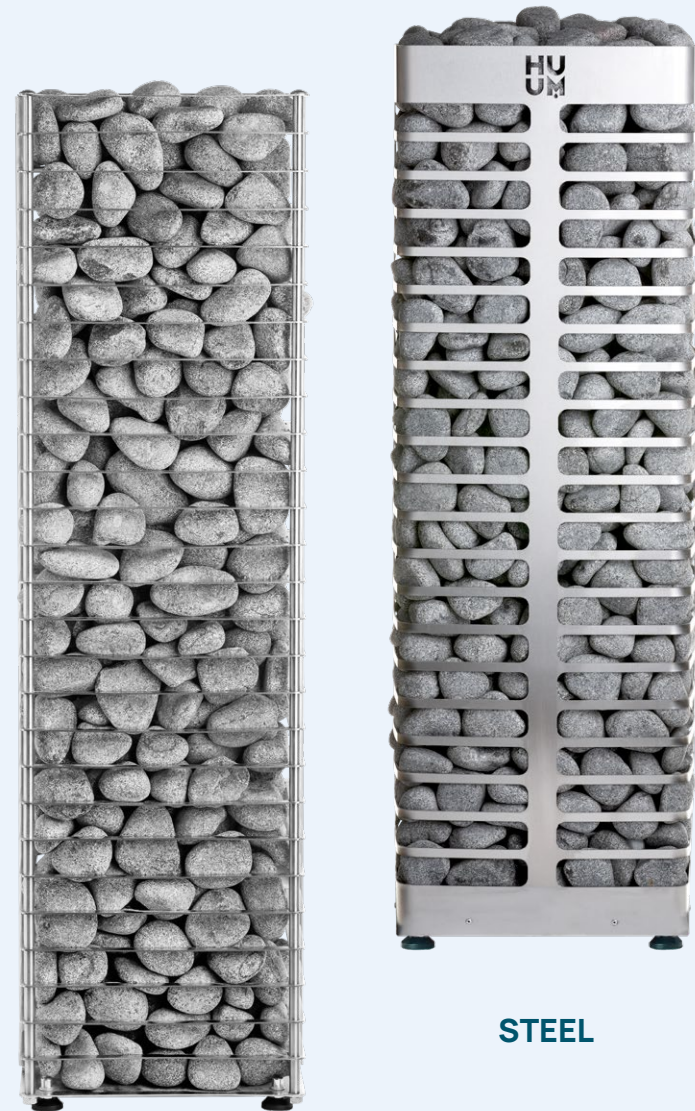
CLIFF / STEEL HEATERS

An environmentally conscious series

These heaters incorporate the engineering ingenuity that is sustainable for the environment. CLIFF/STEEL heaters come from the same origin. They are made of the same sheet of metal. STEEL heater cut-outs are used to create the ribs of the CLIFF heater without wasting any material.

They are similar in power and volume, and both have a built-in air tunnel, which ensures better ventilation and extends the life of the heating element. However, the nature and differences of the heaters lie in their external dimensions, safety distances, and the amount of stones used.

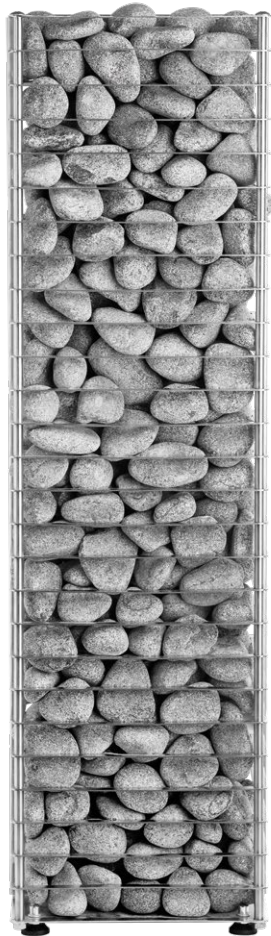
The result is aesthetically designed and space-saving heaters for smaller saunas.



CLIFF

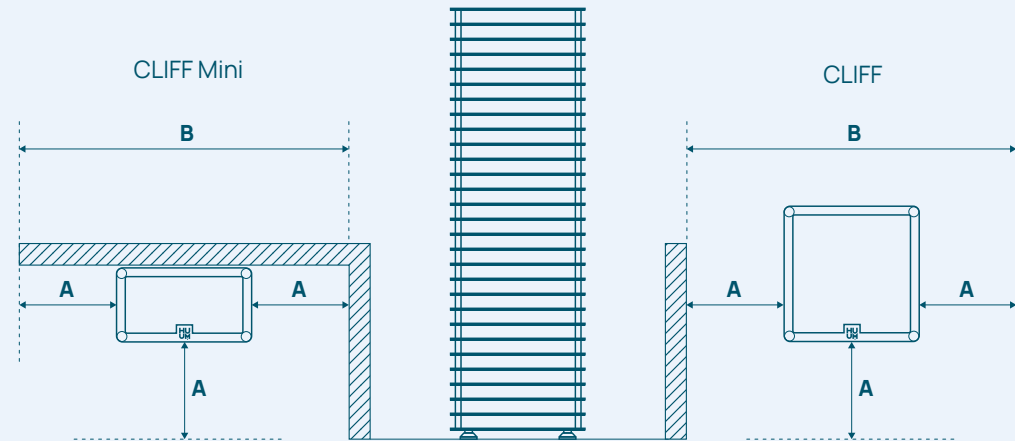
STEEL





reddot winner 2021

CLIFF



HEATER	CLIFF Mini 4	CLIFF 6	CLIFF 9	CLIFF 11
POWER	3,5 kW	6 kW	9 kW	10,5 kW
SAUNA ROOM	3,5-6 m ³	5-10 m ³	9-15 m ³	10-17 m ³
STONE CAPACITY	60 kg	75 kg	75 kg	75 kg
WEIGHT	15 kg	16 kg	16 kg	16 kg
HEIGHT	975 mm	975 mm	975 mm	975 mm
WIDTH	270 mm	270 mm	270 mm	270 mm
DEPTH	160 mm	270 mm	270 mm	270 mm
SAFETY DISTANCE				
A	60 mm	60 mm	240 mm	240 mm
B	390 mm	390 mm	750 mm	750 mm
CONNECTION				
SUPPLY VOLTAGE 3-PHASE	-	3/N~400 V	3/N~400 V	3/N~400 V
FUSE	-	10 A	16 A	16 A
CABLE (N x mm ²)	-	5 x 2,5	5 x 2,5	5 x 2,5
SUPPLY VOLTAGE 1-PHASE	1/N~230 V	-	-	-
FUSE 1-PHASE	16 A	-	-	-
CABLE (N x mm ²)	3 x 2,5	-	-	-



CLIFF electric heater imitates the northern coastal cliffs. The CLIFF heater's eye-catching stone surface evokes a sense of timeless nature in the steam room. A large amount of heating stones ensures a mild but abundant steam. The air tunnel built into the heater guarantees efficient air flow, accelerates heating and extends the life of the heating elements. The small safety distances of the heater make it also suitable for more compact home saunas.

CLIFF Mini electric heater is an even slimmer, wall-mounted model of the CLIFF heater, which is suitable for small steam rooms. Both heaters are compatible with the UKU sauna control system.

THE SET INCLUDES:

- ◆ electric sauna heater
- ◆ adjustable legs

REQUIRES ALSO:

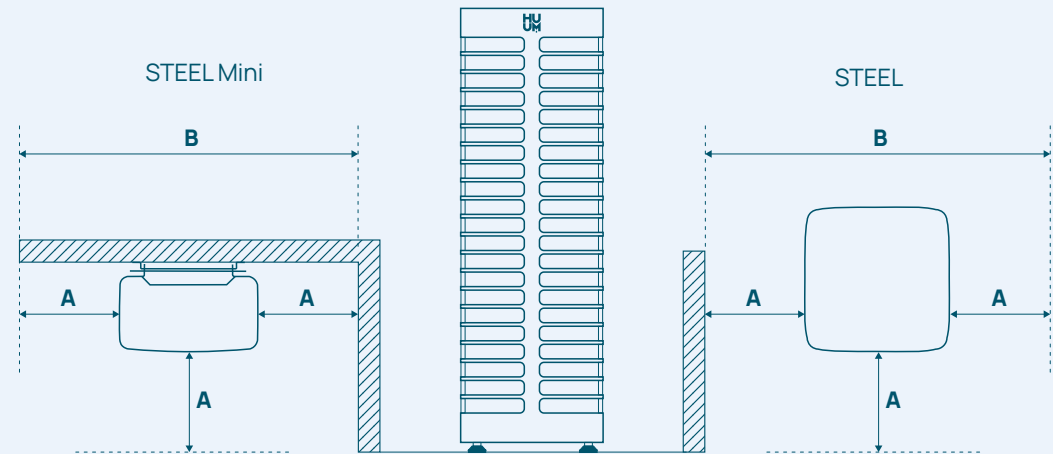
- ◆ UKU sauna control system
- ◆ stones (3-5 cm)
- ◆ heat-resistant power cable

ACCESSORIES:

- ◆ embedding flange (common with STEEL heater)
- ◆ reflector
- ◆ safety railing



STEEL



HEATER	STEEL Mini 4	STEEL 6	STEEL 9	STEEL 11
POWER	3,5 kW	6 kW	9 kW	10,5 kW
SAUNA ROOM	3,5-6 m ³	6-10 m ³	9-15 m ³	10-17 m ³
STONE CAPACITY	60 kg	150 kg	150 kg	150 kg
WEIGHT	14,5 kg	15 kg	15 kg	16 kg
HEIGHT	975 mm	975 mm	975 mm	975 mm
WIDTH	310 mm	320 mm	320 mm	320 mm
DEPTH	160 mm	320 mm	320 mm	320 mm
SAFETY DISTANCE				
A	50 mm	50 mm	100 mm	100 mm
B	410 mm	420 mm	520 mm	520 mm
CONNECTION				
SUPPLY VOLTAGE 3-PHASE	-	3/N~400 V	3/N~400 V	3/N~400 V
FUSE	-	10 A	16 A	16 A
CABLE (N x mm ²)	-	5 x 1,5	5 x 2,5	5 x 2,5
SUPPLY VOLTAGE 1-PHASE	1/N~230 V	-	-	-
FUSE 1-PHASE	16 A	-	-	-
CABLE (N x mm ²)	3 x 2,5	-	-	-



STEEL is a stylish electric heater with exceptionally small safety distances for smaller sauna rooms. STEEL holds plenty of stones, ensuring mild but abundant steam. The built-in air tunnel creates an effective air flow, accelerates heating and extends the life of the heating elements. The stainless steel STEEL heater gives the steam room a modern look and carries the principles of sustainable production. There is no material waste when creating the heater - the ribs of the CLIFF heater are obtained from the cutouts.

STEEL Mini electric heater is a slimmer, wall-mounted 3,5 kW model of the STEEL heater, which is suitable for even smaller steam rooms. Both heaters are compatible with the UKU sauna control system.

THE SET INCLUDES:

- ◆ electric sauna heater
- ◆ adjustable legs

REQUIRES ALSO:

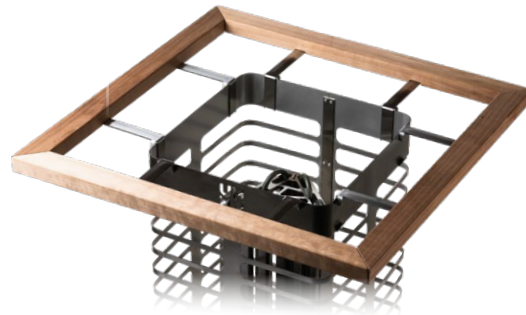
- ◆ UKU sauna control system
- ◆ stones (3-5 cm)
- ◆ heat-resistant power cable

ACCESSORIES:

- ◆ embedding flange (common with CLIFF heater)
- ◆ reflector
- ◆ safety railing



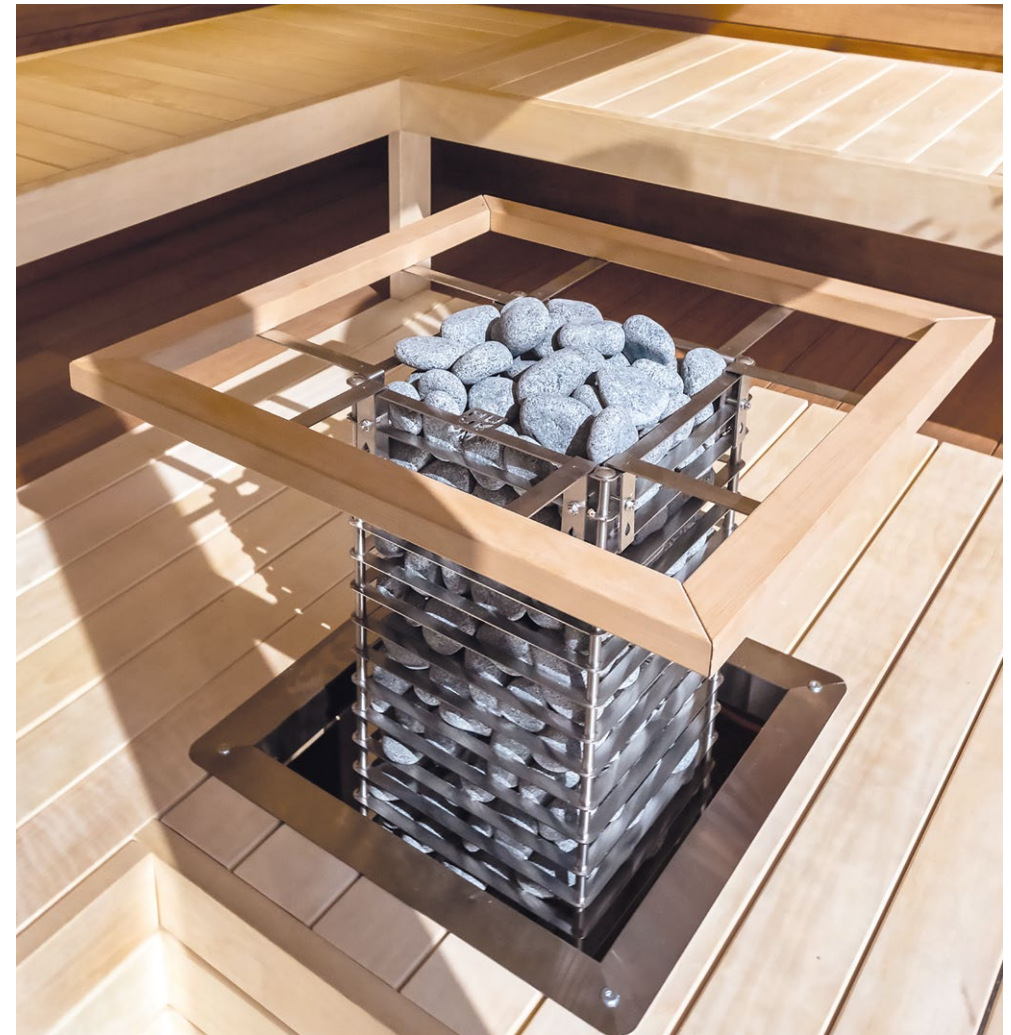
CLIFF safety railing



STEEL safety railing

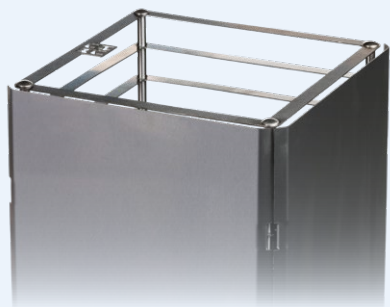
SAFETY RAILING

Safety railing helps to protect you from accidentally touching against the hot heater. The railing consists of light-colored wooden frame and stainless steel supports to attach them to the heater. Not only does the railing provide extra safety – but it is also an excellent way to style your heater.



EMBEDDING FLANGE FOR CLIFF AND STEEL HEATERS

The embedding flange is useful when you plan to install your heater partly inside the sauna bench. It is made of stainless steel, and it covers up the wooden edges around the heater, leaving the final result looking refined and smooth.



CLIFF reflector



STEEL reflector

REFLECTOR

Placing a reflector on the heater makes it possible to achieve half smaller safety distances from the walls. It is made of stainless steel and is mounted on the side of the heater.

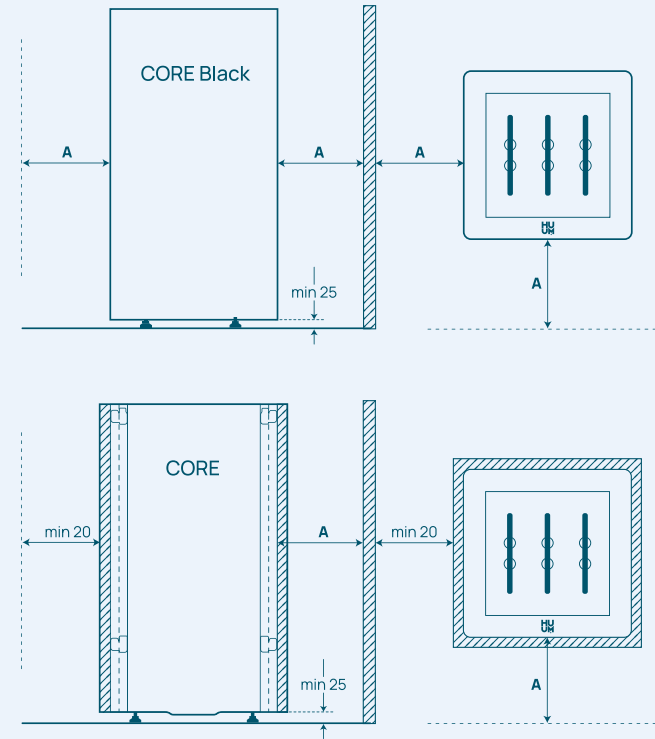
The reflectors can be connected.



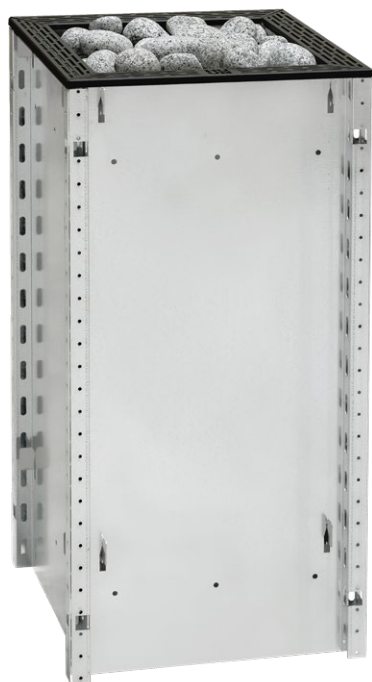
CORE Black



CORE



HEATER	CORE 6	CORE 9	CORE 11
POWER	6 kW	9 kW	10,5 kW
SAUNA ROOM	6-10 m ³	9-15 m ³	10-20 m ³
STONE CAPACITY	30 kg	30 kg	30 kg
WEIGHT	19 kg	19 kg	19 kg
HEIGHT	830 mm	830 mm	830 mm
WIDTH	385 mm	385 mm	385 mm
DEPTH	385 mm	385 mm	385 mm
SAFETY DISTANCE			
A	40 mm	40 mm	40 mm
CONNECTION			
SUPPLY VOLTAGE 3-PHASE	3/N~400 V	3/N~400 V	3/N~400 V
FUSE	10 A	16 A	16 A
CABLE (N x mm ²)	5 x 1,5	5 x 2,5	5 x 2,5



CORE BK



CORE SS



Thermo-aspen



Alder

CORE electric heater gives you creative freedom. CORE heats up the sauna quickly and gives pleasant steam, but what makes it special are the designable side panels. Depending on the interior you can use ceramic tiles, stone, lids, or wood. The safety distances of the heater are exceptionally small. CORE can be fully immersed in the sauna bench and fit into small steam rooms. The selection includes a heater without finish or a black metal CORE. We offer wooden panels as an additional product. The wooden finish is a particularly convenient choice for families with small children, for example - the risk of burning yourself against the heater is almost non-existent.

CORE is compatible with the UKU sauna control system.



THE SET INCLUDES:

- ◆ electric sauna heater

REQUIRES ALSO:

- ◆ UKU sauna control system
- ◆ stones (5-10 cm)
- ◆ heat-resistant power cable

ACCESSORIES:

- ◆ wooden side panels

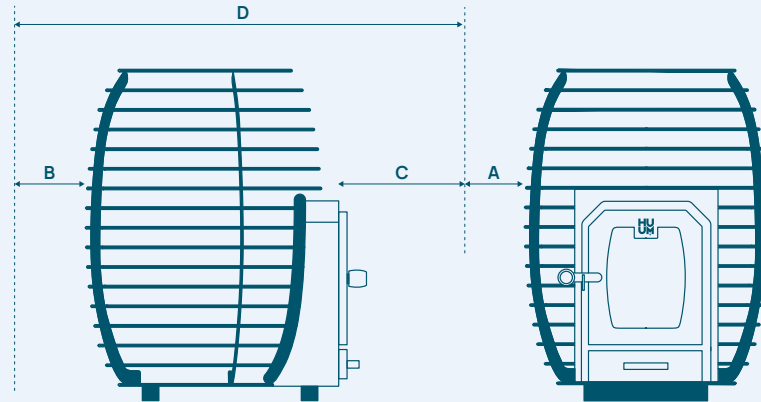


Photo by: HeartWood

WOOD BURNING
SAUNA STOVES



HIVE Wood



SAUNA STOVE	HIVE Wood 13	HIVE Wood 17	HIVE Wood 17 LS
POWER	13 kW	17 kW	17 kW
SAUNA ROOM	6-13 m ³	8-16 m ³	8-16 m ³
STONE CAPACITY	90 kg	130 kg	130 kg
WEIGHT	47 kg	65 kg	77 kg
HEIGHT	750 mm	750 mm	750 mm
WIDTH	450 mm	555 mm	555 mm
DEPTH	460 mm	590 mm	740 mm
FIREWOOD MAX	300 mm	400 mm	400 mm
FLUE (Ø)	115 mm	115 mm	115 mm
SAFETY DISTANCE			
A	190 mm	500 mm	500 mm
B	250 mm	500 mm	500 mm
C	900 mm	1000 mm	1000 mm
D	1610 mm	2090 mm	2240 mm



Photo by: HeartWood

HIVE Wood has taken the ancient wisdom of sauna construction to a new level. The hearth of the sauna stove is designed so that the flame is powerful, the combustion is efficient and the stove is long-lasting. The flame cutter in the hearth, exposed to the harshest heat, is made of 5 mm thick stainless steel and is exceptionally durable.

It is possible to hide a heat exchanger under the stones to heat the sauna water. The round design of the sauna stove is borrowed from the beehive, it holds plenty of stones and gives a pleasant steam.

HIVE Wood LS is a model with the hearth extension which allows the stove to be heated from an adjacent room.

THE SET INCLUDES:

- ◆ wood burning sauna stove

REQUIRES ALSO:

- ◆ stones (5-10 cm)
- ◆ connection to chimney

HIVE Wood LS

FIREWOOD MAX
400 mm

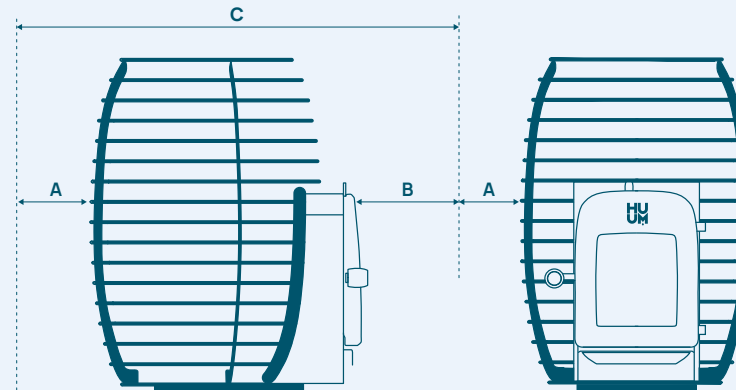
ACCESSORIES:

- ◆ heat exchanger
- ◆ reflector
- ◆ stone cage
- ◆ protective bedding (not for LS models)





HIVE Heat



SAUNA STOVE

POWER
SAUNA ROOM
STONE CAPACITY
WEIGHT
HEIGHT
WIDTH
DEPTH
FIREWOOD MAX
FLUE (Ø)

HIVE Heat 12

12 kW
6-13 m³
90 kg
56 kg
750 mm
450 mm
490 mm
300 mm
115 mm

HIVE Heat 12 LS

12 kW
6-13 m³
90 kg
67 kg
750 mm
450 mm
640 mm
300 mm
115 mm

SAFETY DISTANCE

A	170 mm	170 mm
B	500 mm	500 mm
C	1160 mm	1310 mm





- ◆ unique structure for efficient burning
- ◆ treated only with natural oils
- ◆ model HIVE Heat 12 LS allows heating from another room
- ◆ complies with BimSchV II

HIVE Heat is an efficient, economical, and environmentally friendly wood burning sauna stove. The unique hearth construction directs fresh air to the combustion process from above to create a powerful flame. All wood burns completely in the hearth, including the wood gases that leave the chimney in the case of less efficient sauna stoves. HIVE Heat meets one of the strictest environmental standards in the world, the German BimSchV II. The stove door is made of durable cast iron and the sauna stove is treated only with natural oils without using any chemicals.

HIVE Heat LS is a model with the hearth extension which allows the heater to be heated from an adjacent room.

THE SET INCLUDES:

- ◆ wood-fired heater

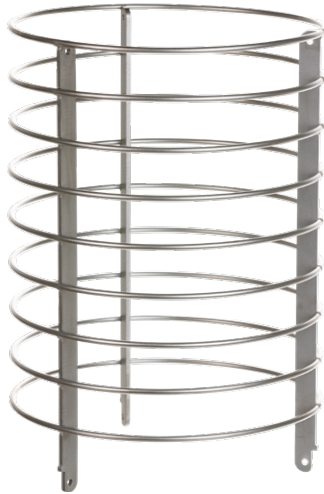
REQUIRES ALSO:

- ◆ stones (5-10 cm)
- ◆ connection to chimney



ACCESSORIES:

- ◆ heat exchanger
- ◆ reflector
- ◆ stone cage
- ◆ protective bedding (not for LS models)



STONE CAGE

The stone cage is mounted straight on the sauna stove around the flue and filled with sauna stones. Thanks to the added stones, the surface for pouring water significantly increases, and that means less hot metal surfaces, that we wish to keep minimal in the sauna.

The stone cage filled with sauna stones is also a decorative element matching with the sauna stove.

Stone cages can be installed on top of each other.

- ◆ height: 43 cm
- ◆ diameter: 30 cm
- ◆ holds 35-40 kg of stones
- ◆ suitable for all HUUM wood burning sauna stoves

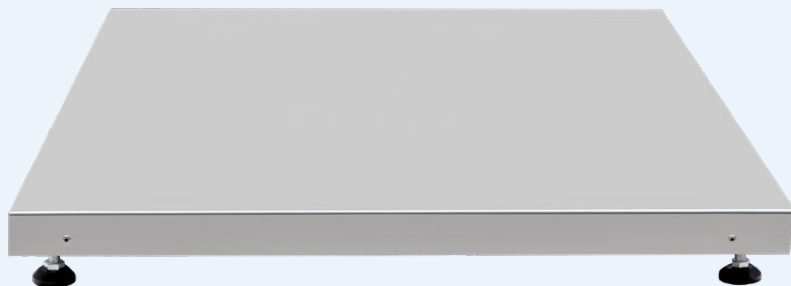


REFLECTOR

Reflector makes the safety distances of the sauna stove considerably smaller. It allows the safety distance to be reduced to half of existing safety distances.







PROTECTIVE BEDDING

The protective bedding is intended for use when the sauna stove is placed on a wooden floor or other floors of combustible material.

We also recommend using it if there is water floor heating piping in the floor under the heater.

- ◆ suitable for all HUUM wood burning sauna stoves (not for LS models)



HEAT EXCHANGER

A heat exchanger heats water when the sauna is heated. The heat exchanger is made of 4 mm steel and coated with heat-resistant paint. The heat exchanger has $\frac{3}{4}$ " male pipes for connecting the heat exchanger to the water tank. The heat exchanger may be placed on the rear edge or on the sides.



SAUNA CONTROLLERS



MIRROR



BLACK



reddot winner 2021

UKU SAUNA CONTROL SYSTEM

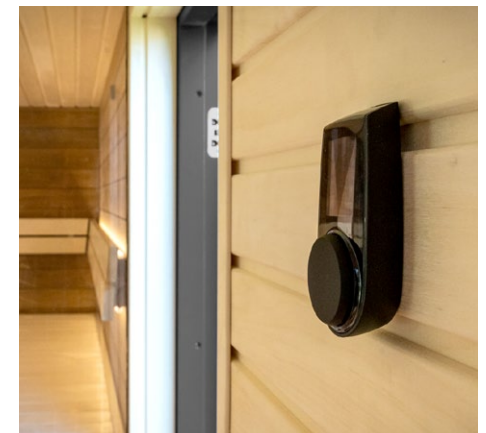
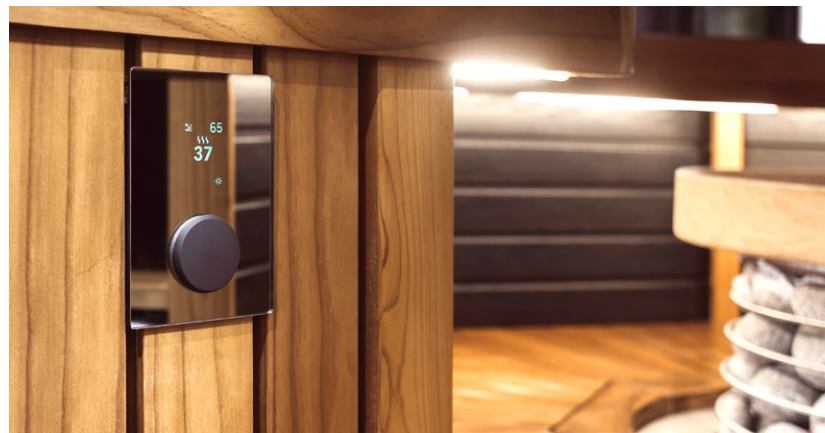
UKU control system is a modern way to heat a sauna. The sauna can be controlled from a stylish control panel on the wall or, in the case of the WiFi or 4G control system model, even from a smartphone. UKU ensures you a comfortable and safe sauna experience.

- ◆ selection of stylish control panels
- ◆ for heaters up to 18 kW
- ◆ connectable to lights/ventilation and steamer
- ◆ overheating protection
- ◆ child safety lock
- ◆ timer



Connects with others

UKU is compatible with different manufacturers' heaters with EN 60335-2-53 certificate.



UKU SAUNA CONTROL SYSTEM OPTIONS

UKU WiFi control system requires a connection to a WiFi network to communicate with the mobile app. That is why it's suitable for home saunas or other saunas already in the WiFi range.

UKU 4G model allows you to heat your sauna on the spot or do it from your phone through HUUM mobile app. UKU 4G has a built-in 4G module, and it connects to the mobile app through mobile data, so no WiFi is needed. It is a good solution for holiday houses that are not used all year round.

UKU Local may be the right choice if you are not interested in heating your sauna from the phone. UKU Local control system model makes sauna heating easy and comfortable. You can connect it with your sauna's lights/ventilation and steamer functions and regulate all of them from a stylish control panel on the wall.



HUUM MOBILE APP

UKU+App incorporates all the features of the UKU Local control system while adding an extraordinarily **comfortable** remote control option through a mobile app. With HUUM mobile app, you can heat your sauna comfortably from wherever you are. Whether you are at the end of a long working day or going out for a run, you can have a hot sauna waiting for you when you get home with a **couple of clicks on your phone**. You can choose the beginning and end time of the heating, set the target temperature, and check the current temperature at any given moment.

HUUM mobile app works with UKU WiFi and 4G control system models.

- ◆ eight different languages
- ◆ unlimited number of users
- ◆ notification when the target temperature is reached
- ◆ lights/ventilation or steamer control
- ◆ calendar for booking sauna in advance
- ◆ statistics about sauna use



STONES

ROUNDED STONES


We recommend using **rounded stones** in HUUM heaters to complement the design and have milder steam. In our selection, we have rounded olivine diabase stones in two different size ranges.

The stones are **durable** and have high heat capacity. You can also use other types of stones in HUUM heaters, except decorative stones, because they can break easily and damage the heater.

AVAILABLE SIZES:

- ◆ diameter **3-5 cm** - 15 kg package
- ◆ diameter **5-10 cm** - 15 kg package



A hand is shown pouring water from a wooden ladle into a metal basket filled with grey stones. The basket is hanging in a wooden sauna, and steam is rising from the stones. The background is a wooden wall.

STEAM LIKE IN A TRADITIONAL SAUNA

HUUM heaters are built by using minimal amounts of metal so that the heat comes mainly from the stones and only very little from the metal. This way, we can maximize the good negative ions from the stones, like in traditional saunas, and keep the positive ions from the metal at a minimum. With a high stone capacity, this is our secret to healthy, mild and long lasting steam.



Easy to use



Soft Steam



Longer Relaxation



Award Winning Design



Innovative



Stainless Steel



CE Certification



UK Certification



Safety & Control



5 Years Warranty



Made in Estonia



**HU
UM**

 **OF SAUNA**

#huumsauna www.huum.eu