



CLIFF

ENG

ELECTRIC SAUNA HEATER

3-14

FR

POËLE ÉLECTRIQUE

15-26



IPX4



info@huumsauna.com

www.huumsauna.com



MIX
Paper | Supporting
responsible forestry
FSC® C092678

HUUM CLIFF

ELECTRIC SAUNA HEATER Installation and operation manual

ATTENTION! The following instructions for electrical works must be carried out by a licensed electrician.

ATTENTION! We recommend a specialist to lay the stones on the heater.

ATTENTION! This appliance is not intended for use by persons (including children) with reduced physical, sensory or mental capabilities, or lack of experience and knowledge, unless they have been given supervision or instruction concerning use of the appliance by a person responsible for their safety.

ATTENTION! Children should be supervised to ensure that they do not play with the appliance.

ATTENTION! The installation instructions for appliances for public saunas that do not have a timer shall state that a pilot lamp showing that the heater is switched on is to be installed in the attendant's room.

The safety of the products is based on EN 60335-2-53: 2011 "Household and similar electrical appliances. Safety. Part 2-53: Particular requirements for sauna heating appliances and infrared cabins".

The HUUM CLIFF electric sauna heater delivery set contains:

- electric heater;
- installation and operation manual for the electric heater.
- 2 blocks for disassembling the slats of the sauna stove.

ATTENTION! HUUM CLIFF electric heater requires a control panel and stones. The product installation should be complete.

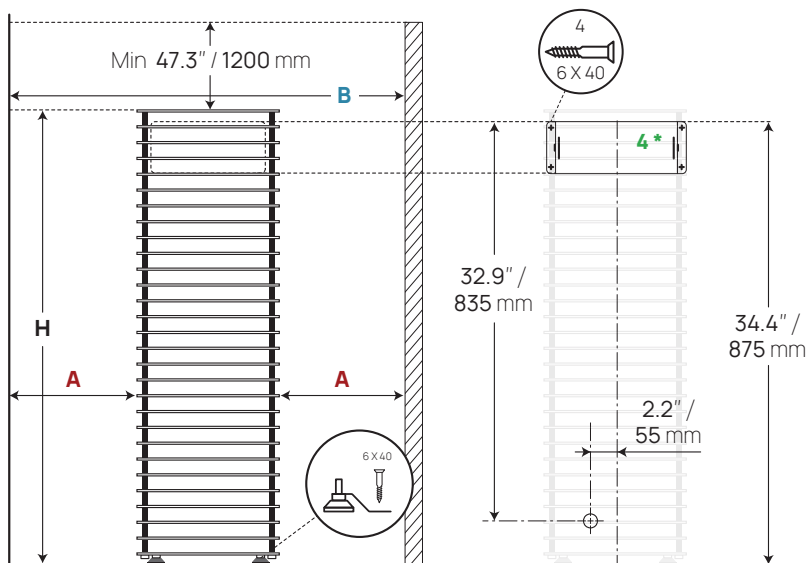
This installation and operation manual is intended for use by the sauna owner or maintenance person as well as the electrician responsible for the installation of the heater. Before using the heater, please read the instructions carefully.

ATTENTION! The electrical work described in this manual may only be performed by a licensed electrician.

BEFORE INSTALLATION

Before installation read the operation manual thoroughly. Do not install or perform maintenance on the device if you do not understand all of the instructions. Contact vendor or local distributor with any questions or concerns. This way you can use all the benefits of the device and prevent damage:

- Does the output (kW) match the volume (ft³/m³) of the sauna room? See **Table 1-2**.
- In case there are any uninsulated brick, tile, or glass walls in the sauna room, an additional 3.3 ft³ must be added to the sauna room volume for each 1 ft² of such wall; or 1 m³ for each 1 m². The suitable output of the heater will be determined based on **Table 1-2**.
- The producer's warranty guarantee is invalid if the heater and sauna room have been dimensioned incorrectly!
- Minimal safe distances between the sauna room's ceiling and walls in view of installing the electric heater are listed in **Table 3**.
- The 6, 9 and 11 CLIFF models are attached to the floor by using the accompanying brackets. Install the bracket to the heater leg as shown below and fix it to the floor with a suitable screw (preferably minimum of 6 x 40mm).



* CLIFF Mini 4 is attached to the wall with a special bracket
See CLIFF Mini 4 heater data in the table below.

Table 1	Output kW (240 V)	Room	Amps A	Circuit breaker A	Min. Wire size AWG
CLIFF Mini 4	4.0	106-177 ft ³ 3-5 m ³	14.58	20	12
CLIFF 6	6.0	177-318 ft ³ 5-9 m ³	25	30	10
CLIFF 9	9.0	283-460 ft ³ 8-13 m ³	37.5	50	8
CLIFF 11	11.0	354-566 ft ³ 10-16 m ³	43.75	50	8

Table 2	Output kW (208 V)	Room	Amps A	Circuit breaker A	Min. Wire size AWG
CLIFF Mini 4	2.85	106-159 ft ³ 3-4.5 m ³	12.5	20	12
CLIFF 6	4.8	142-248 ft ³ 4-7 m ³	21.63	30	10
CLIFF 9	7.1	212-354 ft ³ 6-10 m ³	32.45	40	8
CLIFF 11	8.5	265-424 ft ³ 7.5-12 m ³	37.98	50	8

Table 3	A	B	H	Width/ Depth	Weight
CLIFF Mini 4	2.36 in 60 mm	15.35 in 390 mm	38.4 in 975 mm	10.6 in/6.3 in 270 mm/160 mm	33 lb 15 kg
CLIFF 6	2.36 in 60 mm	15.35 in 390 mm	38.4 in 975 mm	10.6 in/ 10.6 in 270 mm/270 mm	35.2 lb 16 kg
CLIFF 9	9.45 in 240 mm	29.5 in 750 mm	38.4 in 975 mm	10.6 in/ 10.6 in 270 mm/270 mm	35.2 lb 16 kg
CLIFF 11	15 in 380 mm	40.5 in 1030 mm	38.4 in 975 mm	10.6 in/ 10.6 in 270 mm/270 mm	37.5 lb 17 kg

INSTALLATION

Positioning the heater

- The heater must be positioned in such a way that there is a safe distance between flammable materials and the external surfaces of the heater. See **Table 3**.
- In installing the heater, it must be prevented that people could have physical contact with the heater or that other dangerous situations could emerge during the heating process.
- CLIFF Mini holds approximately 132 lb (60 kg) of stones and CLIFF holds approximately 165 lb (75 kg).
- The input of the power cable is located on the bottom cover of the heater.

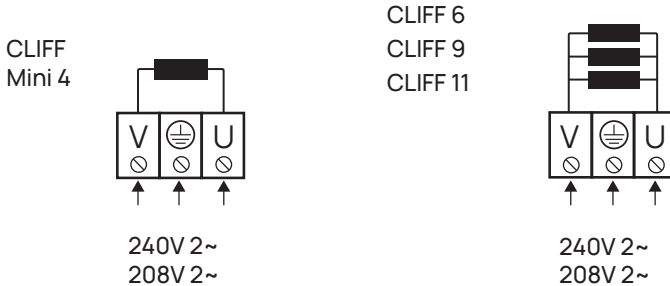
Connecting the heater to the power supply

- A method to disconnect all poles from the mains (a circuit breaker) must be installed on the power circuit before the sauna controller.
- Only a certified electrician is allowed to connect the heater to the power supply.
- The power cable of the heater must meet the requirements (against sunlight, water and oil) of UL 62 in US and CSA 49 in Canada.
- It is recommended to connect the unit to the mains without a GFCI breaker.
- The maximum current intensity in the cross-sectional area of the cable and circuit breaker are listed in **Table 1** and **Table 2**.
- The cable must be secured to the clamp on the cover screw.

ATTENTION! You shall not use a non-heat-resistant cable with pvc isolation as the power cable. the junction box must be waterproof and it must be located up to 20 in (50 cm) from the floor.

- Open the cover of the heater's electrical box.
- Attach the power cable on the terminal block according to the circuit diagram.

- Close the cover.
- Fix the cable on the output with a cable strap.

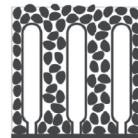
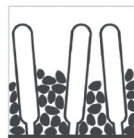
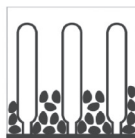


Fitting the stones

- Make sure that the heating elements are not bent during the process.
- There must be sufficient air circulation around the heater elements.
- We recommend washing the stones before filling the receptacle.
- Stack the stones sparsely between the heating elements. If the stones have been stacked too close to each other, the heating elements may overheat (= shorter useful life) and slow the heating of the sauna.
- Stones with a diameter of 1.2-1.9 in (3-5 cm) are suitable for the heater.
- The stones on the external surface of the heater must be stacked close to one another. The heating elements must not be visible.
- Using ceramic stones in the CLIFF heater is allowed at the user's responsibility.

ATTENTION! Too sparsely filled stone container causes fire hazard!

ATTENTION! We recommend a specialist to lay the stones on the heater.

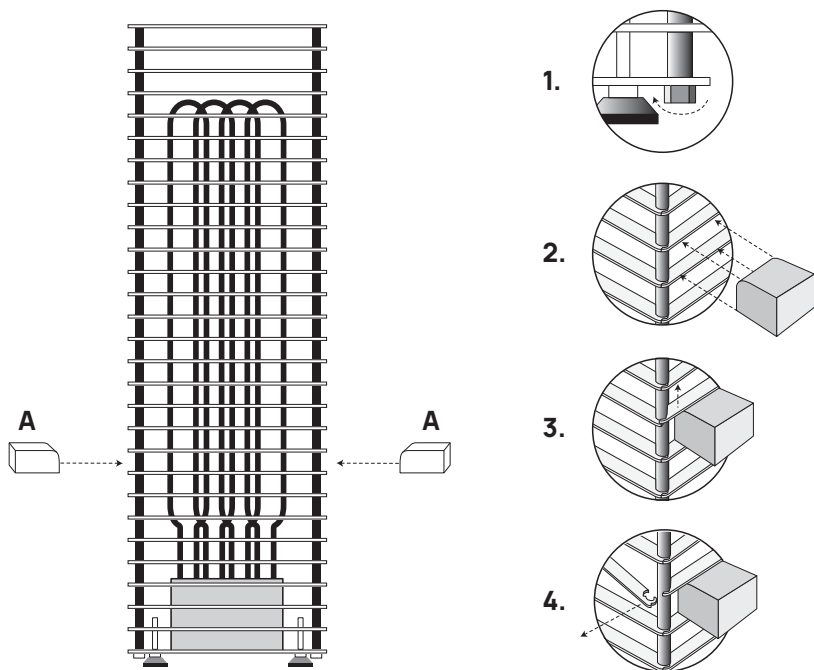


Removing the ribs of the heater

For fitting the stones, all of the ribs are removable by props (A).

1. On the bottom of the heater, release the nuts of the threaded rod by 5 mm.
2. Push the props between the ribs of the heater.
3. Release the rib from both ends.
4. Carefully remove the rib from the joint, first from the right end and then the left.

ATTENTION! Pull the rib away from the heater without using force or turning the rib – avoid bending the tenons!



The rib under the removed rib is instantly removable in a similar fashion.

The procedure is reversed for putting the ribs back. The rib must be attached to the joint from the left end first and then from the right.

First-time use of the sauna heater

Before switching the heater on, the insulation resistance might prove to be lower than the standard. The reason for that is the moisture seeped into the insulating layer during storage in the warehouse and transportation.

The moisture evaporates in 1–2 hours of heating the electric heater.

Controlling the heater

All certified control panels may be used in controlling the heater. The output of the heater must remain in the interval determined by the control panel's producer.

Product can be used only with controlunit with timer function. Including other than those for installation in public saunas, shall be provided with a timer. For appliances for use in blocks of flats, hotels and similar locations, the operating period of the sauna heater shall be limited to 12 h with a minimum rest period of 6 h before any automatic restarting. For other appliances, the operating period of the timer shall be limited to 6 h, automatic restarting not being allowed.

Guard rails

- It is recommended to construct a guard rail around the heater. We recommend using materials with low heat capacity and bad thermal conductivity for the guard rail.
- Upon using flammable materials, it is necessary to leave the specified minimal safety clearances between the heater and flammable constructions.

ATTENTION! If the heater is installed closer to flammable constructions than at the distance of the minimal required protection belt it may cause a fire hazard!

SAUNA ROOM

Wall materials and insulating the sauna room

In a sauna with electric heating, all massive heat accumulating wall surfaces (brick, glass brick, rendering etc.) must be insulated to use the electric heater with a regular output.

The following sauna wall and ceiling construction is considered to be sufficiently insulated:

- a carefully installed insulation wool layer of 4 in, minimum 2 in (100 mm, min. 50 mm);
- the construction is damp proofed with taped aluminium paper or other reflective material;
- there is a 0.4 in (10 mm) air gap between the damp protection and boarding
- light wooden boards with about a 0.5-0.65 in (12-16 mm) thickness have been used for interior finishing;
- there is an air gap of at least 0.2 in (5 mm) on the edge of the ceiling panels at the upper part of the wall panelling.

In order to use the heater with a regular output, it would be practical to bring the ceiling of the sauna lower regular 86.6 - 91 in, min. height of sauna room 86.6 in (2200-2300 mm, min. height of sauna room 2200 mm) so that the volume of the sauna room diminishes. The ceiling is insulated with an insulation layer at least 4 in (100 mm) thick and boarded according to the method described above. Wood should be used to cover internal surfaces; an exception may be made for heat resistant walls in the vicinity of the heater.

ATTENTION! Insulating the heat barrier has to be approved by the fire inspector. Insulating flues in use is forbidden!

ATTENTION! Covering the walls or floor with light protective material, for example, mineral tiles that are installed directly on the surface of the walls or ceiling might cause the dangerous overheating of the wall or ceiling material.

Floor of the sauna room

The heater stones in use crumble due to temperature changes. The pieces and pebbles breaking away from the heater stones are washed on the sauna's floor with the steam-making water. Hot stone parts may damage plastic flooring under and near the heater.

Heater stone particles and sprays from the steam-making water (e.g., with iron content) may absorb into the light joints of a tile floor. In order to avoid aesthetic damage (caused by the reasons mentioned above), ceramic tiles and dark joint filler should be used under and around the heater.

Ventilation of the sauna

In order to ensure sufficient oxygen supply and fresh air, the sauna's ventilation should be as efficient as possible (air should exchange **six times an hour**).

The ventilation system depends on whether the building has a natural air inlet and outlet or forced ventilation.

Sauna ventilation consists of at least two, as a rule three parts:

- 1. Supply air pipe.** The supply air pipe diameter should be $\varnothing 1\frac{31}{32}'' - 3\frac{15}{16}''$ (50-100mm).
- 2. Exhaust air pipe.** The diameter of the exhaust air pipe should be 2x the diameter of the supply air pipe, $\varnothing 3\frac{15}{16}'' - 7\frac{7}{8}''$ (100-200mm).
- 3. Drying pipe.** In the absence of a drying pipe opening, the door may be left open for ventilation after using the sauna.

In case of a sauna room with mechanical ventilation, there should be:

1. **Supply air pipe** in the middle of the heater or higher ($\geq 15\frac{3}{4}$ " / 400 mm).
2. **Exhaust air pipe** in the opposite side of the heater ($\leq 23\frac{5}{8}$ " / 600 mm from the floor).
3. **Drying pipe opening** in the opposite wall of the heater under the ceiling.

In case of a gravity based ventilation sauna room, there should be:

1. **Supply air pipe** in the middle of the heater or lower ($\leq 15\frac{3}{4}$ " / 400 mm).
2. **Exhaust air pipe** in the opposite wall at least $7\frac{7}{8}$ " (200 mm) higher than the supply air pipe ($\leq 23\frac{5}{8}$ " / 600 mm from the floor).
3. **Drying pipe opening** in the opposite wall of the heater under the ceiling.

The supply air pipe should be fitted with an adjustable valve.

If **the exhaust air pipe** is located in the washroom, there should be a gap of at least 4 in (100 mm) under the door of the sauna room.

Use **the drying pipe opening** as a final ventilation after a sauna session or in between water lading sessions if there have been a lot of people in the room at once and there is excessive humidity or lack of air. Keep the drying pipe opening closed while having sauna.

WARNING!

- Before turning on the electric heater, always check the sauna room and heater.
- The heater may be used only when it has been correctly filled with stones.
- Do not cover the heater—this causes fire hazard.
- Do not touch a working heater, it causes burns.
- Incorrect ventilation of the sauna room may dry the wood too much and cause a fire hazard in the sauna.
- Only tap water may be used for making steam.
- Never make steam by using a water hose.
- There must always be at least 2 in (5 cm) of fireproof heat insulation under the boarding.
- Sauna doors must always open outwards.
- Do not use the sauna for a purpose it is not intended for.
- Do not install more than one heater into the sauna room.
- Undiluted sauna essences etc. may ignite when poured directly onto the stones.
- Do not leave small children unattended in the sauna.
- Sudden cooling after staying in the steam room is not recommended for people with poor health. Consult a doctor.
- Enjoy the sauna as long as it is comfortable for you.
- Keep this information at a safe place.
- The product's warranty guarantee does not extend to heating elements.

WARRANTY

General terms and conditions can be found on our webpage
huumsauna.com/warranty



Find the most up-to-date material on the manufacturer's
website: huumsauna.com



HUUM CLIFF

POÊLE ÉLECTRIQUE AVEC RÉCEPTACLE À PIERRES POUR SAUNA

Notice de montage et d'utilisation

ATTENTION ! Seul un électricien agréé est autorisé à installer le poêle/le système de commande.

ATTENTION ! Il est recommandé de confier la pose des pierres sur le réceptacle à un spécialiste.

ATTENTION ! Cet appareil ne doit pas être utilisé par des personnes (y compris des enfants) dont les capacités physiques, sensorielles ou mentales sont diminuées, ou encore qui manquent d'expérience et de connaissances, à moins qu'elles n'aient été supervisées ou instruites sur l'utilisation de l'appareil par une personne responsable de leur sécurité.

ATTENTION ! Les enfants doivent être surveillés afin qu'ils ne puissent pas jouer avec cet appareil.

ATTENTION ! Les instructions concernant l'installation d'appareils pour saunas publics qui ne sont pas équipés d'une minuterie doivent mentionner l'obligation d'installer dans la pièce attenante du sauna un voyant lumineux indiquant que le poêle est allumé.

La sécurité des produits est conforme à la norme EN 60335-2-53: 2011 «Appareils électriques ménagers et analogues. Sécurité. Partie 2-53: Règles particulières pour les appareils de chauffage de saunas et les cabines infrarouges».

Tous les composants du poêle doivent être installés comme prévu dans la notice. Le poêle HUUM CLIFF est livré avec les composants suivants:

- poêle avec réceptacle à pierres;
- notice d'utilisation et de montage;
- 2 coins de démontage des traverses de réceptacle à pierre.

ATTENTION ! Le poêle électrique HUUM CLIFF nécessite également un système de commande et des pierres. le poêle électrique doit être installé au complet, avec les éléments nécessaires à son fonctionnement normal.

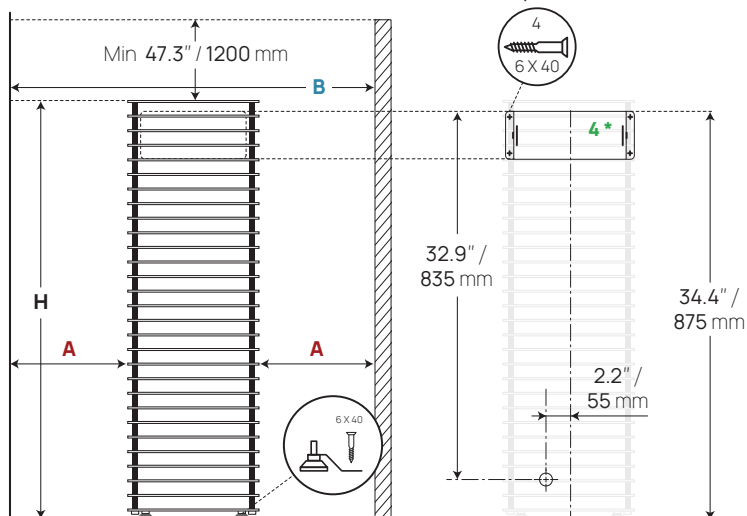
Le présent manuel d'installation et d'utilisation est adressé aux propriétaires et personnes responsables d'entretien du sauna, ainsi qu'à l'électricien-installateur du poêle. Avant de procéder à l'utilisation du poêle électrique, il est important de lire attentivement ce manuel d'installation et d'utilisation.

ATTENTION ! Les travaux électriques décrits dans ce manuel doivent être effectués par un électricien agréé.

AVANT L'INSTALLATION

Avant l'installation, lisez attentivement le manuel d'utilisation. N'installez pas ou n'effectuez pas d'entretien sur l'appareil si vous ne comprenez pas toutes les instructions. Contactez le fournisseur ou le distributeur local pour toute question ou préoccupation. De cette façon, vous pouvez utiliser tous les avantages de l'appareil et éviter les dommages.

- Avant d'installer le chauffe-sauna électrique, contrôlez l'ampérage maximum du disjoncteur principal, qui doit correspondre aux paramètres du chauffe-sauna.
- La puissance du chauffe-sauna (kW) correspond-elle au volume (pi^3 / m^3) du sauna? S'il y a des murs de briques, de tuiles ou de verre non isolés dans la pièce de sauna, 1 m^3 supplémentaire doit être ajouté au volume de la pièce de sauna pour 1 m^2 de ce mur (ou $3,3 \text{ pi}^3$ pour 1 pi^2). Pour une puissance appropriée de poêle veuillez voir le **Tableau 2** et **Tableau 3**.
- La garantie du fabricant ne s'appliquera pas, si la puissance du réceptacle à pierre a été mal calculée !
- Les distances minimales de sécurité pour le plafond et les murs de la pièce chaude par rapport au poêle sont indiquées dans le **tableau 3** et sur la figure ci-dessous.
- Fixez au sol les modèles CLIFF 6, 9 et 11 à l'aide des supports fournis. Montez le support sur le pied du réceptacle à pierres comme indiqué ci-dessous et vissez-le au sol avec une vis (6 x 40 mm au minimum).



* On fixe le poêle CLIFF Mini 4 au mur à l'aide d'un support spécial. Pour en savoir plus sur les caractéristiques techniques du poêle CLIFF Mini 4 veuillez voir le tableau ci-dessous.

Tableau 1	Sortie kW (240 V)	Pièce	Amps A	Disjoncteur A	Min.Taille du câblage AWG
CLIFF Mini 4	4.0	106-177 ft ³ 3-5 m ³	14.58	20	12
CLIFF 6	6.0	177-318 ft ³ 5-9 m ³	25	30	10
CLIFF 9	9.0	283-460 ft ³ 8-13 m ³	37.5	50	8
CLIFF 11	11.0	354-566 ft ³ 10-16 m ³	43.75	50	8

Tableau 2	Sortie kW (208 V)	Pièce	Amps A	Disjoncteur A	Min.Taille du câblage AWG
CLIFF Mini 4	2.85	106-159 ft ³ 3-4.5 m ³	12.5	20	12
CLIFF 6	4.8	142-248 ft ³ 4-7 m ³	21.63	30	10
CLIFF 9	7.1	212-354 ft ³ 6-10 m ³	32.45	40	8
CLIFF 11	8.5	265-424 ft ³ 7.5-12 m ³	37.98	50	8

Tableau 3	A	B	H	Largeur/Profondeur	Poids
CLIFF Mini 4	2.36 in 60 mm	15.35 in 390 mm	38.4 in 975 mm	10.6 in/6.3 in 270 mm/160 mm	33 lb 15 kg
CLIFF 6	2.36 in 60 mm	15.35 in 390 mm	38.4 in 975 mm	10.6 in/ 10.6 in 270 mm/270 mm	35.2 lb 16 kg
CLIFF 9	9.45 in 240 mm	29.5 in 750 mm	38.4 in 975 mm	10.6 in/ 10.6 in 270 mm/270 mm	35.2 lb 16 kg
CLIFF 11	15 in 380 mm	29.5 in 750 mm	38.4 in 975 mm	10.6 in/ 10.6 in 270 mm/270 mm	37.5 lb 17 kg

INSTALLATION

Montage du poêle

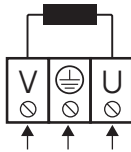
- Le poêle doit être positionné de façon à garantir des distances de sécurité par rapport aux matériaux inflammables. Voir le **tableau 3**.
- La position du poêle doit exclure le contact physique avec la personne étant dans la pièce chaude au moment du chauffage, ainsi que prévenir autres situations dangereuses.
- CLIFF Mini contient approximativement 60 kg de pierres et CLIFF contient approximativement 75 kg de pierres
- Les entrées du câble d'alimentation se trouvent sur le couvercle inférieur du poêle.

Connexion au secteur

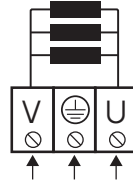
- Un dispositif de déconnexion de tous les poêles du réseau d'alimentation (un disjoncteur) doit être raccordé au circuit électrique avant l'unité de commande du sauna.
- Seul un électricien agréé est autorisé à raccorder le poêle à l'alimentation électrique..
- Le câble d'alimentation du poêle doit être conforme aux normes relatives à la résistance aux UV, à l'eau et à l'huile (UL62 aux États-Unis et CSA 49 au Canada.)
- Il est recommandé de connecter le poêle/le système de commande au secteur sans disjoncteur de fuite à la terre GFCI.
- L'intensité maximale du courant dans la section transversale du câble et du disjoncteur est indiquée au **tableau 1-2**.
- Le câble doit être sécurisé en le fixant à l'aide de l'attache présente sur la vis du couvercle.

ATTENTION! Il est interdit d'utiliser de câble en PVC non résistant à la chaleur comme câble d'alimentation. La boîte de dérivation doit être étanche et installée jusqu'à 20 pouces (50 cm) du sol.

- Ôtez le couvercle du boîtier électrique du poêle.
- Connectez le câble d'alimentation au bornier comme indiqué au schéma de câblage.
- Fermez le boîtier électrique par le couvercle.
- Fixez le câble à l'aide d'un serre-câble.

CLIFF
Mini 4

240V 2~
208V 2~

CLIFF 6
CLIFF 9
CLIFF 11

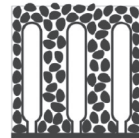
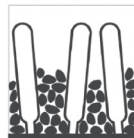
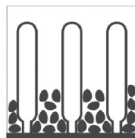
240V 2~
208V 2~

Montage du poêle

- Remplissez le réceptacle à pierres avec précaution pour ne pas abîmer les résistances chauffantes et assurer une circulation d'air suffisante.
- Nous recommandons de laver les pierres avant d'en remplir le réceptacle.
- En posant les pierres entre les résistances chauffantes ne les serrez pas trop. Dans le cas contraire cela peut provoquer la surchauffe des résistances (donc, raccourcir leur durée de vie) et ralentir la montée en température de votre sauna.
- Le diamètre de pierres doit être de 1.2-1.9 in (3-5 cm).
- Les pierres doivent couvrir complètement les résistances chauffantes (les résistances ne doivent pas être visibles).
- L'utilisation de pierres céramiques dans le réceptacle à pierres CLIFF n'est autorisée qu'à vos risques et périls.

ATTENTION ! Si le compartiment à pierres est trop peu rempli, il présente un risque d'incendie!

ATTENTION ! Il est recommandé de confier la pose des pierres sur le réceptacle à un spécialiste.

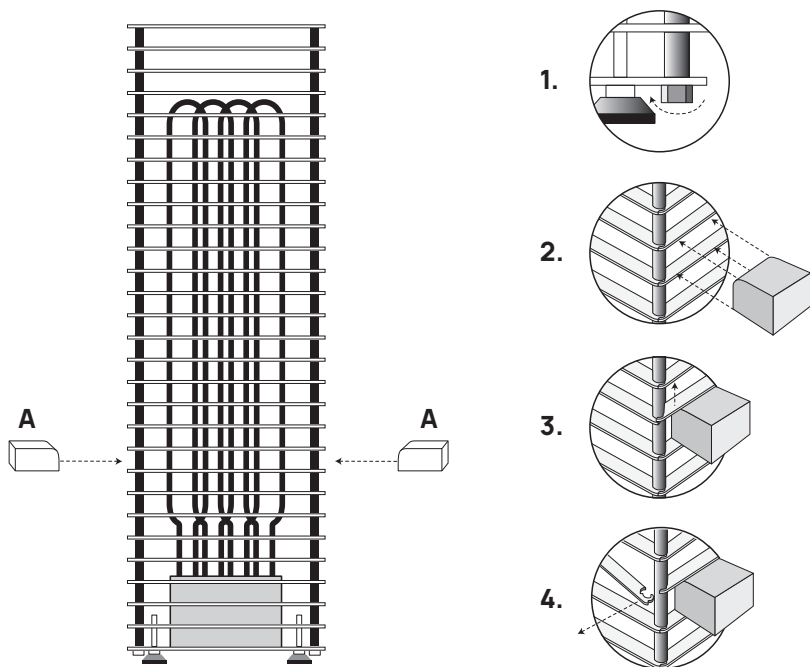


Démontage des traverses de réceptacle à pierre

Pour poser les pierres on démonte les traverses à l'aide de coins (A).

1. Desserrer de 5 mm les écrous au bas de montants du poêle.
2. Insérer les coins entre les traverses.
3. Retirez la traverse de deux côtés avec précaution, tout d'abord du côté droit, ensuite du côté gauche.

ATTENTION ! Retirez les traverses sans recours à la force et sans tordre pour ne pas déformer les tenons !



Retirez ensuite de la même façon la traverse suivante au-dessous.

Montez les traverses dans l'ordre inverse. Insérer la traverse tout d'abord du côté gauche, puis du côté droit.

La première mise en marche du poêle

Lors de la première mise en marche du poêle, la résistance d'isolation peut être temporairement inférieure à la normale. Cela est dû à l'humidité qui s'est infiltrée dans sa couche isolante pendant le stockage et le transport.

L'humidité va s'évaporer dans 1 ou 2 heures de chauffe.

Commande du poêle

Toutes les unités de commande certifiées dotées d'un contrôle thermique peuvent être utilisées pour commander le poêle. La puissance du poêle doit rester dans l'intervalle déterminé par le fabricant de l'unité de commande.

Le produit ne peut être utilisé qu'avec une unité de commande dotée d'un minuteur. Ceux qui ne sont pas destinés à être installés dans des saunas publics doivent également être munis d'un minuteur. Pour les appareils destinés à être utilisés dans des immeubles, des hôtels et des lieux similaires, la durée de fonctionnement du poêle est limitée à 12 h, avec une période de repos minimale de 6 h avant tout redémarrage automatique. Pour les autres appareils, la durée de fonctionnement du minuteur est limitée à 6 h, le redémarrage automatique n'étant pas autorisé.

BARRIÈRE DE SÉCURITÉ

- Il est recommandé d'installer une barrière de sécurité tout autour du poêle. Nous recommandons d'utiliser des matériaux ayant une faible capacité thermique et une mauvaise conductivité thermique pour la barrière de sécurité.
- Lors de l'utilisation de matériaux inflammables, il convient de respecter les distances de sécurité minimales imposées entre le poêle et les constructions inflammables.

ATTENTION! Le non-respect des distances minimales requises lors de l'installation d'un poêle augmente le risque d'incendie!

PIÈCE CHAUDE

Isolation thermique de la pièce chaude et matériaux muraux

Dans un sauna électrique, tous ses murs massifs accumulant de la chaleur (murs en briques ou briques de verre, murs enduits d'un crépi etc.) doivent être couverts d'un isolant thermique pour permettre d'utiliser un poêle de puissance normale.

Les murs et le plafond de sauna sont suffisamment isolés si :

- une laine de verre de 4 in (100 mm) d'épaisseur (minimum 2 in (50 mm)) a soigneusement été installée;
- le matériau isolant est revêtu de feuilles d'aluminium servant de pare-vapeur ou d'un autre matériau réfléchissant;
- entre le pare-vapeur et le revêtement en bois de la pièce chaude il y a un espacement de 0.4 in (10 mm) d'épaisseur assurant une circulation d'air ;
- les planches de revêtement sont de 0.5 à 0.65 in (12 à 16 mm) d'épaisseur;
- entre les planches de plafond et le revêtement mural il y a un espacement de 0.2 in (5 mm) au minimum assurant une circulation d'air.

Afin d'optimiser l'utilisation du poêle, il conviendrait d'abaisser le plafond du sauna (hauteur normale 86.6 à 90.6 in (2200 à 2300 mm), hauteur minimal 86.6 in (2200 mm) afin d'en réduire le volume.

Le plafond doit être isolé par une couche d'isolation d'au moins 4 in (100 mm) d'épaisseur et revêtu de panneaux comme il est indiqué ci-dessus. Les surfaces intérieures doivent être recouvertes de bois, à l'exception des murs résistants à la chaleur situés près du poêle.

ATTENTION ! L'isolation thermique des murs chauds doit être approuvée par l'inspecteur en sécurité-incendie. Il est interdit de revêtir de l'isolant thermique les cheminées utilisées !

ATTENTION ! La pose sur les murs ou le plafond de matériaux isolants ininflammables, p.ex., des panneaux isolants minéraux sans couche d'air, peut provoquer leur surchauffe dangereuse !

Plancher dans la pièce chaude

À cause des changements de température, les pierres s'effritent. Les petits morceaux qui se détachent de pierres sont emportés par l'eau jetée sur le réceptacle et tombent sur le plancher. Ces fragments chauds peuvent endommager le revêtement en plastique sous et autour du poêle.

Les gouttes d'eau chaude et les fragments de pierres (p.ex., contenant du fer) peuvent être absorbées par les joints clairs du carrelage. Pour préserver l'esthétique du sauna et faire face aux dégradations susmentionnées, il est recommandé de poser les carreaux de céramique sous et autour du poêle et de reboucher les joints par un enduit de couleur foncée.

Ventilation de la salle de sauna

Pour assurer un apport d'air frais suffisant, la ventilation dans la salle de sauna doit être suffisamment efficace (capable de renouveler l'air six fois par heure).

La solution relative à la ventilation de la salle de sauna dépend du système de ventilation – naturelle ou mécanique – utilisé dans le bâtiment.

La ventilation de la salle de sauna se compose au moins de deux, mais normalement de trois éléments :

- **Arrivée d'air.** Le diamètre du tuyau d'alimentation en air doit être de 50 à 100 mm ($1\frac{31}{32}$ "- $3\frac{15}{16}$ ").
- **Sortie d'air.** Le diamètre du tuyau d'échappement doit être de deux fois le diamètre du tuyau d'alimentation en air, c'est-à-dire de 100 à 200 mm ($3\frac{15}{16}$ "- $7\frac{7}{8}$ ").
- **Aération.** Si dans la salle de sauna il n'y a pas de trou d'aération, on peut laisser sa porte ouverte après la séance de sauna pour aérer la pièce.

Si dans la salle de sauna est installée une ventilation mécanique :

1. **L'arrivée d'air** doit se situer du côté opposé à la partie centrale du poêle électrique ou plus haut (≥ 400 mm / $15\frac{3}{4}$ ").
2. **La sortie d'air** doit se trouver dans le mur opposé à celui de poêle électrique (≤ 600 mm / $23\frac{5}{8}$ " du sol).
3. **Le trou d'aération** doit être situé dans le plafond, près du mur opposé à celui de poêle électrique.

Si dans la salle de sauna est installée une ventilation naturelle :

1. **L'arrivée d'air** doit se situer du côté opposé à la partie centrale du poêle électrique ou plus bas (≤ 400 mm / $15\frac{3}{4}$ ").
2. **La sortie d'air** doit se trouver dans le mur opposé à celui de poêle électrique, au moins 200 mm ($7\frac{7}{8}$ ") plus haut que l'entrée d'air (≤ 600 mm / $23\frac{5}{8}$ " du sol).
3. **Le trou d'aération** doit être situé dans le plafond, près du mur opposé à celui de poêle électrique.

L'entrée d'air doit être équipée d'un clapet réglable.

Si **l'évent** se trouve dans la salle de lavage, un espace libre d'au moins 4 in (100 mm) doit être prévu sous la porte du sauna.

On utilise **le trou d'aération** pour rafraîchir l'air dans la salle de sauna après la visite ou entre les séances, si plusieurs personnes se trouvaient en même temps dans la salle de sauna et l'humidité y était excessive, ou on y sentait un manque d'air. Pendant la séance, le trou d'aération doit être fermé.

ATTENTION !

- Veuillez toujours contrôler la pièce chaude et le poêle avant de mettre en marche le poêle.
- Le réceptacles à pierres de votre poêle doit être correctement rempli de pierres.
- Ne couvrez pas le poêle, – dans le cas contraire cela crée un risque d'incendie.
- Ne touchez pas le poêle chaud, car cela peut provoquer des brûlures.
- Une mauvaise ventilation de la pièce chaude peut entraîner un dessèchement excessif du bois et créer un risque d'incendie dans le sauna.
- Pour produire de la vapeur ne jetez sur les pierres que de l'eau du robinet.
- Il est interdit de projeter de l'eau sur les pierres avec un tuyau d'arrosage.
- Dans le sauna il est impératif de poser derrière le revêtement en bois au moins 2 in (5 cm) d'isolant thermique ignifuge.
- Les portes du sauna doivent toujours s'ouvrir vers l'extérieur.
- N'utilisez pas le sauna à des fins non conformes.
- N'installez pas plus d'un poêle dans la pièce chaude.
- Les huiles essentielles non diluées avec de l'eau, projetées sur les pierres chaudes, peuvent s'enflammer.
- Ne laissez pas les enfants sans surveillance dans le sauna.
- En cas de santé fragile, un refroidissement brusque après la séance dans la pièce chaude du sauna n'est pas recommandé. Veuillez consulter un médecin.
- Restez dans la pièce chaude du sauna aussi longtemps que cela reste confortable.
- Conservez cette notice dans un endroit sûr.
- La garantie du fabricant ne s'étend pas aux résistances électriques chauffantes.

GARANTIE

Les conditions générales sont disponibles sur notre page Web
huumsauna.com/warranty



Trouvez le matériel dernièrement mis à jour le plus récemment sur le
site du fabricant Site Web : huumsauna.com



NOTES
REMARQUES

**HU
UM**

 **OF SAUNA**



#huumsauna



www.huumsauna.com